

TECHNICAL DATA				
ORIFICE	Cv	Pr. Rat.		Temp.Rat.
		SS	BRASS	
3.5 mm.	0.31	4000 PSI (27600 kpa)	3000 PSI (20700 kpa)	-20 to 250° F (-29° to 121°C)

MATERIAL OF CONSTRUCTION

11	O-RING	1	VITON
10	GRUB SCREW	1	STEEL PLATED
9	HANDLE	1	STAINLESS STEEL
8	SPINDLE	1	17-4PH/TITANIUM
7	PACKING WASHER	1	A 479-316
6	PACKING	1	PTFE/GRAPHOIL
5	WASHER	1	A 479-316
4	GLAND NUT	1	A 479-316
3	PANEL NUT	1	A 479-316
2	GLAND BODY	1	A 479-316
1	BODY	1	A 479-316
S.NO.	PART NAME	QTY.	MATERIAL

FEATURES:

BRASS/316S.S. CONSTRUCTION FOR CORROSION RESISTANCE. EXCELLENT FLOW REGULATION & LEAK TIGHT. SLOW OPENING PREVENT SUDDEN PRESSURE SURGE & INSTRUMENT DAMAGE.

APPLICATION:

REFINERIES, LIQUID PETROLIUM GAS PROCESSING PLANT, PETRO CHEMICALS PLANTS. SYSTEMS DIFFICULT TO SHUT OFF DUE TO SOLIDE CONTENTS. DUST,DIRT,RUST ETC.

TESTING:

STANDARD TEST:- EACH VALVES IS TESTED WITH NITROGEN AT 1000 PSI FOR SEAT & PACKING LEAKAGE, WITH A MAX. ALLOWABLE LEAK RATE OF 0.1 SEC. / MIN.

HYDRO TEST:- PERFORMED WITH PURE WATER AT 1-1/2 TIMES OF THE WORKING PRESSURE.

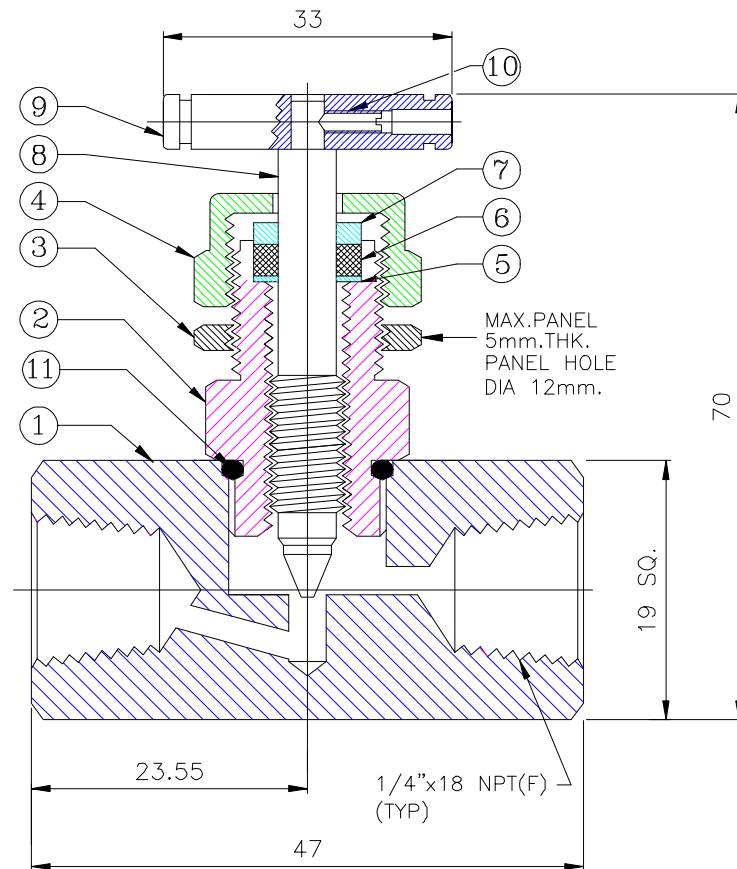
OTHER TEST:- LIKE THE VIBRATIONS,TEMPERATURES,HELIUM ETC. ARE AVAILABLE UPON REQUESTS.

LUBRICATION:

MOLLY ANTI- SEIZE LUBRICANT.

NOTE:

DIMENSIONS ARE FOR REFERENCE ONLY, SUBJECT TO CHANGE.



TITLE: NEEDLE VALVE-MINI SERIES
PTFE PKG. (FxF)

DRN.		SCALE	N.T.S.
CHD.	DJS	DATE	06-03-2010
APPD.		DRG.NO.PINV-H-S-4-T-FF ^{REV. R0}	

PIONEER INDUSTRIES

ISO 9001 - 2008